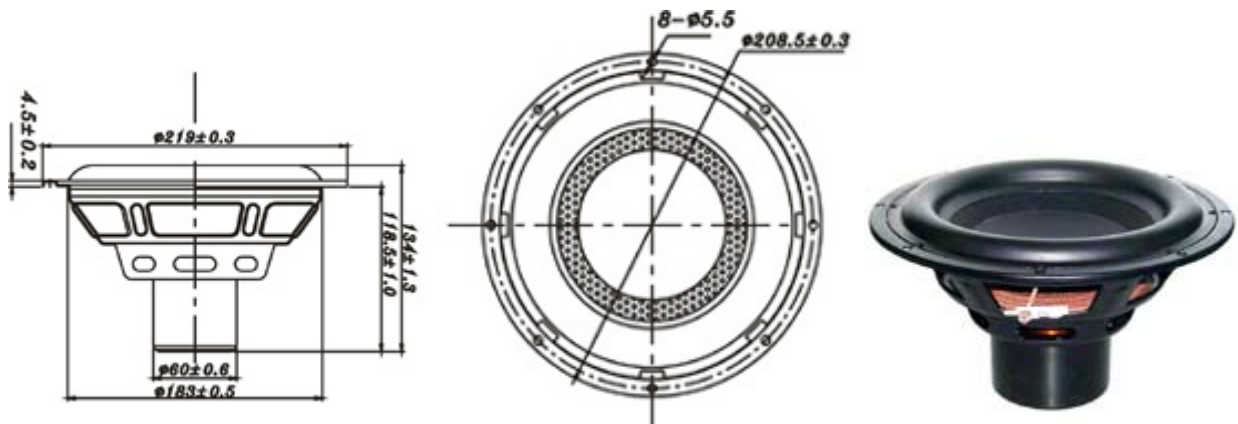


SU SERIES

W8-1363SB



8" PAPER SUBWOOFER

- LONG-THROW HIGH-POWER LOADING DESIGN(X-max=12mm)
- PAPER CONE WITH BIG ROLL, SPECIAL LESS DAMPING, WIDE RANGE TEMPERATURE RUBBER SURROUND
- VENTED POLE PIECE , NEODYMIUM MAGNET DESIGN
- STAMPING STEEL BASKET
- SUITABLE FOR SUBWOOFER APPLICATION
- MAGNETICALLY SHIELDED

DIAPHRAGM MTL	Paper
SURROUND MTL	Rubber
NOMINAL IMPEDANCE	4 Ω
DCR IMPEDANCE	3.2 Ω
SENSITIVITY 1W/1m	84 dB
FREQUENCY RESPONSE	30-800 Hz
FREE AIR RESONANCE	30 Hz
VOICE COIL DIAMETER	49.5 mm
AIR GAP HEIGHT	8 mm
RATED POWER INPUT	150 W
MAXIMUM POWER INPUT	300 W
FORCE FACTOR, BL	14.02 TM
MAGNET WEIGHT (oz)	Neodymium
MOVING MASS	99.78 g
FERRO FLUID ENHANCED	No
SUSPENSION COMPL.	275.28MN ⁻¹
EFFEC.PISTON AREA	0.022M ²
Levc	0.654mH
Zo	79ohm
X-max	12 mm
Vas	18.92 Litr.
Qts	0.29
Qms	4.26



TB SPEAKERS

VOICE:886.2.26570282 FAX:886.2.26580166
E-MAIL :info@tb-speaker.com

Qes

0.31

CLOSE